



川磊电子科技  
ThreeLayer Technologies, Inc.  
專業電感製造商

南充新川电子科技有限公司

ThreeLayer Scientific-Technics Co.,Ltd



产品承认书

SPECIFICATION FOR APPROVAL

客户名称 <i>CUSTOMER NAME.</i>	-----
产品类型 <i>PRODUCT TYPE</i>	Shielded Power Inductors
客户料号 <i>CUSTOMER P/N</i>	-----
川磊料号 <i>OURS P/N</i>	CDRI-7060AL- SERIES
文件编号 <i>FILE NO.</i>	SP-21072112

客户承认/ <i>CUSTOMER ACCEPTED</i>		
承认 <i>APPROVED</i>	确认 <i>CHECKED</i>	承办 <i>DESIGN</i>
批注/ <i>REMARK</i>		

批准 <i>APPROVED</i>	确认 <i>CHECKED</i>	作成 <i>DESIGN</i>
程志华	董兰瑶	蔡娟

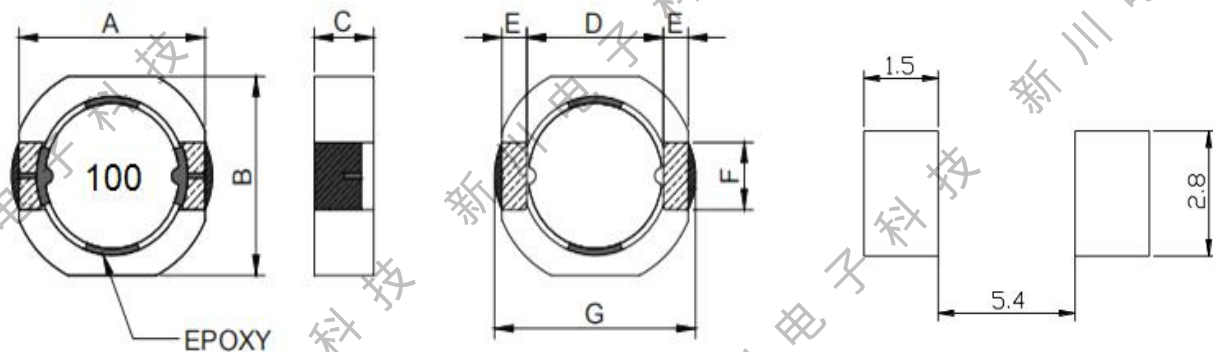
生产工厂：南充川磊电子科技有限公司  
销售公司：南充新川电子科技有限公司  
业务专线：0817-2111163/18681773184  
邮 件：threelayer\_sales@163.com  
地 址：四川省南充市顺庆区潞华工业园区华生东路





客户名称 CUSTOER	-----	客户品名 CUSTOMER P/N	-----	版别 REV.	1.0
产品类型 PRODUCT TYPE	Shielded Power Inductors	新川品名 OURS P/N	CDRI-7060AL-SERIES	文件编号 FILE NO.	SP-21072112

一.尺寸图/DIENSION (单位/UNIT : )



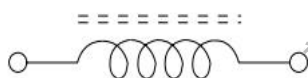
Product size

Pad Layout

ITEM	A	B	C	D	E	F	G		
DIM	7.5	7.5	6.0	5.4	1.0	2.5	9.2		
TOLE	±0.5	±0.5	Max	Typ	Typ	Typ	Max		

二.电路图/CIRCUIT DIAGRA

三.注意事项/NOTE :



1.印字：白色

四.电气特性/ELECTRICAL CHARACTERISTIC

Part Number	Inductance (uH)	Tolerance	Test Frequency (Hz)	DCR (mΩ) ±20%	IDC1 (A) Max.	IDC2 (A) Max.	MARK
CDRI-7060AL-2R0□	2.0	N	100K/0.1V	8.6	10.50	6.60	2R0
CDRI-7060AL-2R2□	2.2	N	100K/0.1V	8.6	10.50	6.60	2R2
CDRI-7060AL-3R3□	3.3	N	100K/0.1V	12.2	7.50	5.35	3R3
CDRI-7060AL-4R7□	4.7	M, N	100K/0.1V	16.8	7.00	4.70	4R7
CDRI-7060AL-5R2□	5.2	N	100K/0.1V	18.3	6.30	4.55	5R2
CDRI-7060AL-6R2□	6.2	N	100K/0.1V	21.0	5.80	4.30	6R2
CDRI-7060AL-6R8□	6.8	M, N	100K/0.1V	22.0	5.30	4.10	6R8
CDRI-7060AL-100□	10	M, N	100K/0.1V	26.9	4.50	3.70	100
CDRI-7060AL-150□	150	M, N	100K/0.1V	32.6	3.60	3.30	180
CDRI-7060AL-220□	22	M, N	100K/0.1V	50.8	3.00	2.60	220
CDRI-7060AL-330□	33	M, N	100K/0.1V	92.5	2.50	2.00	330
CDRI-7060AL-470□	47	M, N	100K/0.1V	150.0	2.00	1.45	470

承认书/SPECIFICATION FOR APPROVAL

客户名称 CUSTOMER	-----	客户品名 CUSTOMER P/N	-----	版别 REV.	1.0
产品类型 PRODUCT TYPE	Shielded Power Inductors	新川品名 OURS P/N	CDRI-7060AL- SERIES	文件编号 FILE NO.	SP-21072112

四.电气特性/ELECTRICAL CHARACTERISTIC

Part Number	Inductance (uH)	Tolerance	Test Frequency (Hz)	DCR (mΩ) ±20%	IDC1 (A) Max.	IDC2 (A) Max.	MARK
CDRI-7060AL-680□	68	M, N	100K/0.1V	290	1.80	1.00	680
CDRI-7060AL-820□	82	M, N	100K/0.1V	410	1.60	0.85	820
CDRI-7060AL-101□	100	M, N	100K/0.1V	510	1.40	0.80	101
CDRI-7060AL-121□	120	M, N	100K/0.1V	560	1.3	0.75	121
CDRI-7060AL-151□	150	M, N	100K/0.1V	650	1.2	0.72	151
CDRI-7060AL-181□	180	M, N	100K/0.1V	710	1.1	0.68	181
CDRI-7060AL-221□	220	M, N	100K/0.1V	770	0.9	0.55	221

(1).Specify the inductance tolerance, K(±10%), L(±15%), M(±20%),N(±30%)

(2).IDC1:Base on temp.rise &  $\Delta L/L0A \leq 35\%$  MAX

(3).IDC2:Temp.rise 45°C Typ

(4).Operating temp.: -40°C to +125°C

(5).Storage Temp: -20°C up to +40°C, 75% RH max.

※:Rated DC Current : The less value which is IDC1 or IDC2

五.材料清单/MATERIAL LIST

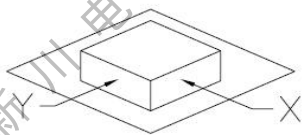
NO.	ITEM	DESCRIPTION
1	CORE	FERRITE
2	BASE	C1100H
3	WIRE	P180 Grd1
4	SOLDER	107H
5	ADHESIVE	G500HF+FW5013
6	INK	WHITE

承认书/SPECIFICATION FOR APPROVAL

客户名称 CUSTOMER	-----	客户品名 CUSTOMER P/N	-----	版别 REV.	1.0
产品类型 PRODUCT TYPE	Shielded Power Inductors	新川品名 OURS P/N	CDRI-7060AL- SERIES	文件编号 FILE NO.	SP-21072112

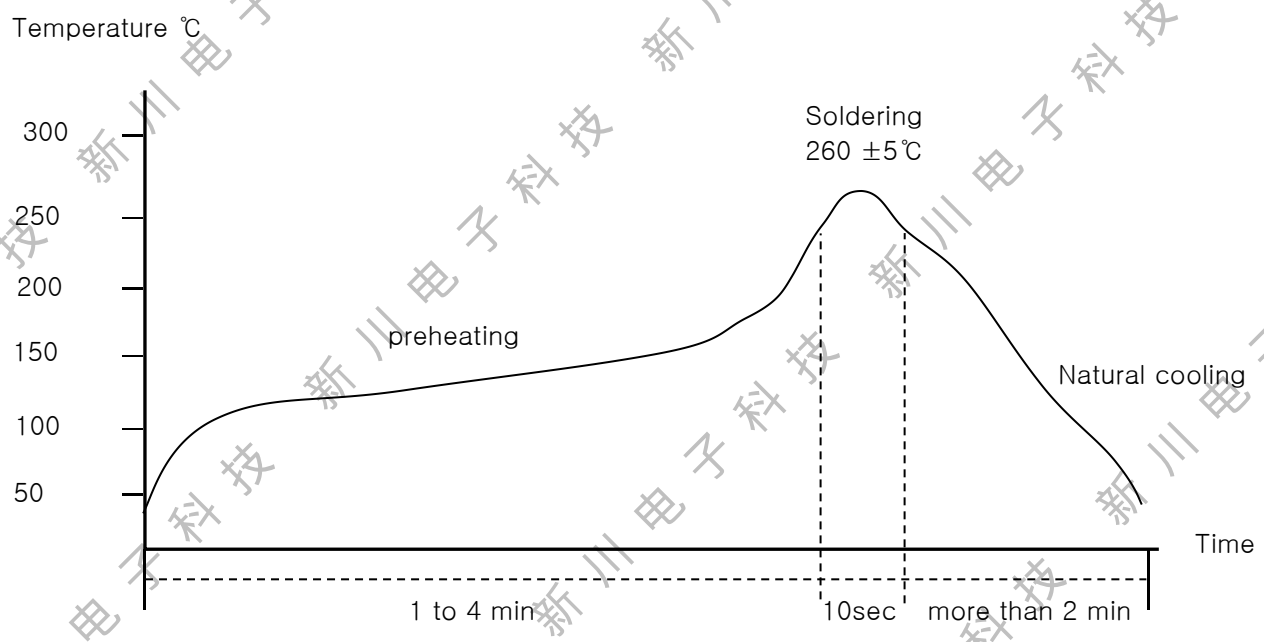
六.可靠性测试/RELIABILITY TESTING

Operating Temperature	- 40 to +125 °C ( Contain Heating coil )
Appearance Inspection	No external defects by visual inspection
Terminal Strength	After soldering , between copper plaet and terminals of coils , push in two directions of X , Y with standing 10N(1.02kg) for10+/-2 sec. Terminal should not peel off. ( Refer to figure at right )
Heat endurance of reflow soldering	Refer to figure
Insulating resistance	Over 100 MΩ at 100V D.C . between wire and core
Dielectric Strength	Apply at 0.5KV 3mA for 1 minute between wire and core
Temperature characteristics	Inductance coefficient ( 0~2,000 ) × 10 / °C ( - 40~ + 125 °C )
Humidity characteristics	Inductance deviation within ± 10% , after 96 hours in 90~95% relative humidity at 40 ± 2 °C and 1 hours drying under normal condition



A test is made under the above mentioned condition , and it is kept for 2 hours in the normal

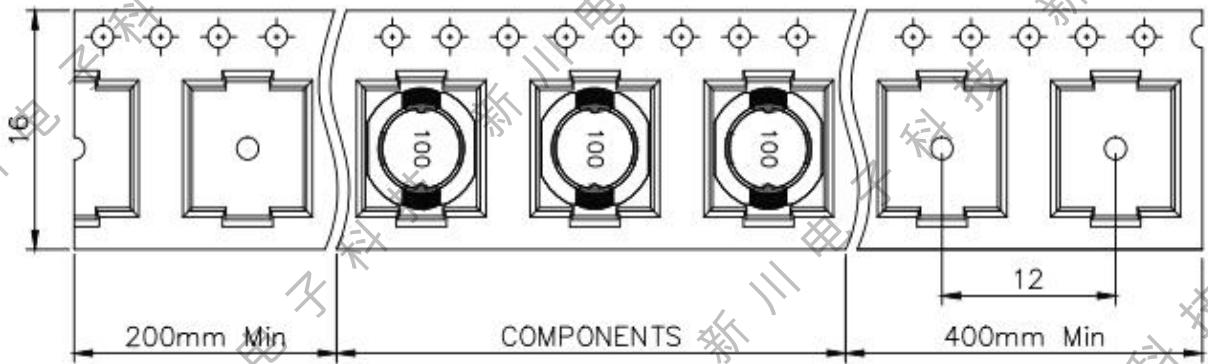
IR Reflow profile



Temperature and humidity . After that , no mechanical and electrical defect should be found .

客户名称 CUSTOMER	-----	客户品名 CUSTOMER P/N	-----	版别 REV.	1.0
产品类型 PRODUCT TYPE	Shielded Power Inductors	新川品名 OURS P/N	CDRI-7060AL- SERIES	文件编号 FILE NO.	SP-21072112

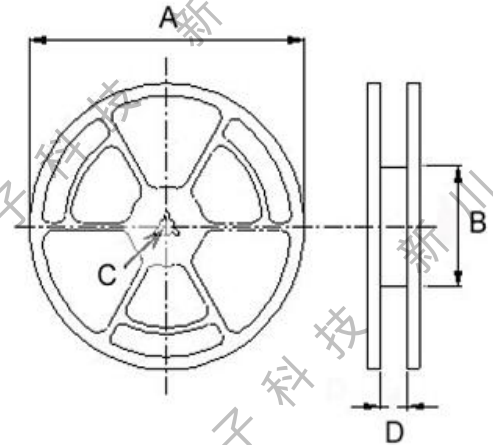
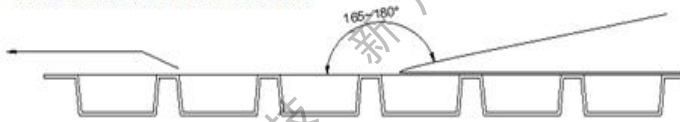
七.编带规格/TAPING SPECIFICATIONS



Transparent carrier and cover tape/透明载带和自粘上带

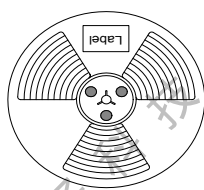
Adhesive strength of cover tape is 20 to 120 gf

The conduction band direction

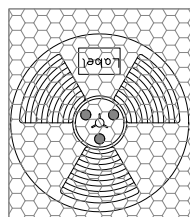


Reel Dimensions (Unit: mm)				Quantity
A	B	C	D	Pcs/Reel
330	100	13	16.5	700

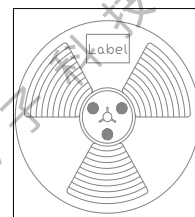
八.包装方式/PACKING LIST



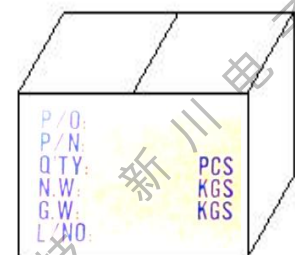
轮盘：13(直径330mm)  
数量：700PCS/盘



PE袋  
数量：700PCS/袋



内盒  
数量：2100PCS/盒



外箱，数量：10500PCS/  
箱  
不足整箱用内盒或填充