



川磊电子科技
ThreeLayer Technologies, Inc.
專業電感製造商

南充新川电子科技有限公司

ThreeLayer Scientific-Technics Co.,Ltd



产品承认书

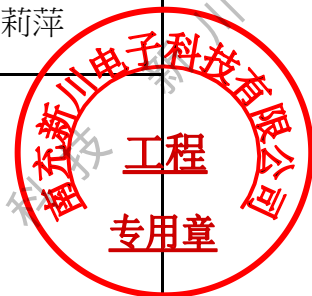
SPECIFICATION FOR APPROVAL

客户名称 <i>CUSTOMER NAME.</i>	-----
产品类型 <i>PRODUCT TYPE</i>	Shielded Power Inductors
客户料号 <i>CUSTOMER PN</i>	-----
新川料号 <i>OURS PN</i>	CDRI-8D28-SERIES
文件编号 <i>FILE NO.</i>	SP-21072109

客户承认/CUSTOMER ACCEPTED		
承认 <i>APPROVED</i>	确认 <i>CHECKED</i>	承办 <i>DESIGN</i>
批注/REMARK		

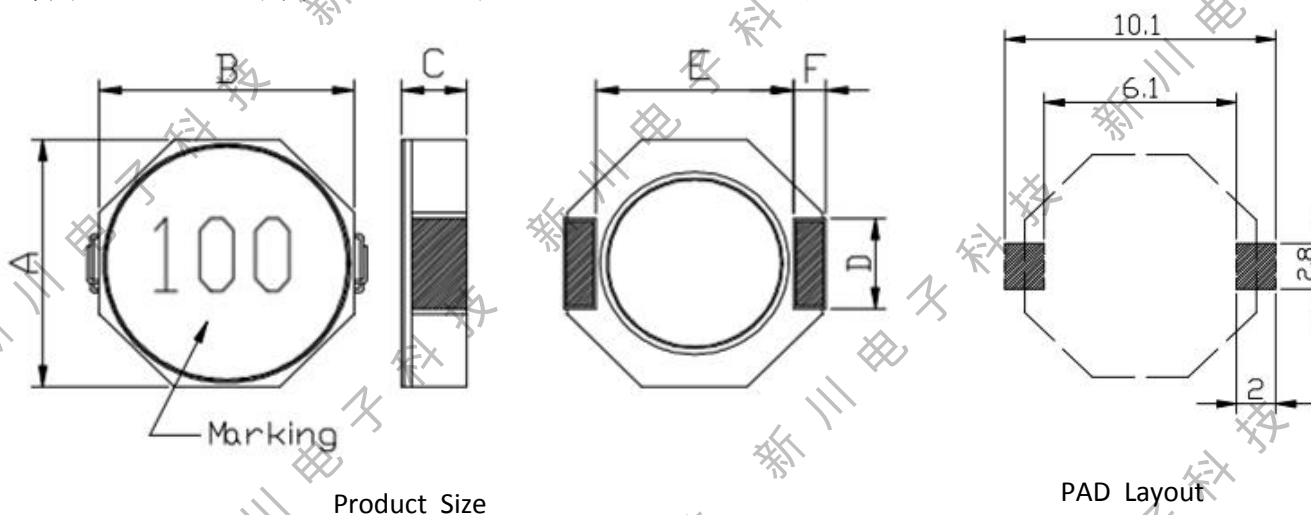
批准 <i>APPROVED</i>	确认 <i>CHECKED</i>	作成 <i>DESIGN</i>
程志华	陈丽丽	张莉萍

生产工厂：南充川磊电子科技有限公司
销售公司：南充新川电子科技有限公司
业务专线：0817-2111163/18681773184
邮 件：threelayer_sales@163.com
地 址：四川省南充市顺庆区潞华工业园区华生东路



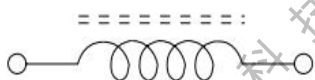
客户名称 CUSTOMER	-----	客户品名 CUSTOMER P/N	-----	版别 REV.	1.0
产品类型 PRODUCT TYPE	Shielded Power Inductors	新川品名 OURS P/N	CDRI-8D28-SERIES	文件编号 FILE NO.	SP-21072109

一.尺寸图/DIMENSION (单位/UNIT : mm)



ITEM	A	B	C	D	E	F		
DIM	8.0	8.0	3.0	2.5	6.3	1.2		
TOLE	±0.3	±0.3	Max	Typ	Typ	Typ		

二.电路图/CIRCUIT DIAGRAM



三.注意事项/NOTE :

1.印字：黑色

四.电气特性/ELECTRICAL CHARACTERISTIC

Part Number	Inductance (uH)	Tolerance	Test Frequency (Hz)	DCR (mΩ) Max	IDC1 (A) Max.	IDC2 (A) Max.	MARK
CDRI-8D28-2R5□	2.5	N	100K/0.25V	15.6	4.5	6.4	2R5
CDRI-8D28-3R3□	3.3	M N	100K/0.25V	18.2	4	6	3R3
CDRI-8D28-3R6□	3.6	M N	100K/0.25V	24	3.8	4.6	3R6
CDRI-8D28-4R7□	4.7	M N	100K/0.25V	24.7	3.4	4.5	4R7
CDRI-8D28-7R3□	7.3	N	100K/0.25V	39	2.8	3.4	7R3
CDRI-8D28-100□	10	M N	100K/0.25V	47	2.5	3.2	100
CDRI-8D28-150□	15	M N	100K/0.25V	69	1.9	2.35	150
CDRI-8D28-220□	22	M N	100K/0.25V	99	1.6	1.85	220
CDRI-8D28-330□	33	M N	100K/0.25V	156	1.3	1.45	330

客户名称 CUSTOMER	-----	客户品名 CUSTOMER P/N	-----	版别 REV.	1.0
产品类型 PRODUCT TYPE	Shielded Power Inductors	新川品名 OURS P/N	CDRI-8D28-SERIES	文件编号 FILE NO.	SP-21072109

四.电气特性/ELECTRICAL CHARACTERISTIC

Part Number	Inductance (uH)	Tolerance	Test Frequency (Hz)	DCR (mΩ) Max	IDC1 (A) Max.	IDC2 (A) Max.	MARK
CDRI-8D28-470□	47	M N	100K/0.25V	195	1.15	1.3	470
CDRI-8D28-680□	68	M N	100K/0.25V	286	0.92	0.98	680
CDRI-8D28-101□	100	M N	100K/0.25V	430	0.75	0.8	101

(1).Specify the inductance tolerance, K(±10%), L(±15%), M(±20%),N(±30%)

(2).IDC1:Base on temp.rise & $\Delta L/L0A \leq 35\%$ MAX

(3).IDC2:Temp.rise 45°C Typ

(4).Operating temp.: -40°C to +125°C

(5).Storage Temp: -20°C up to +40°C, 75% RH max.

※: Rated DC Current : The less value which is IDC1 or IDC2

五.材料清单/MATERIAL LIST

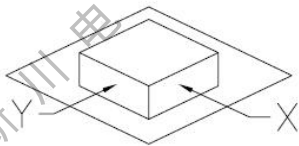
NO.	ITEM	DESCRIPTION
1	CORE	FERRITE
2	BASE	C-8D28
3	WIRE	P180 Grd1
4	EPOXY	E-G500HF
5	SOLDER	Sn99.3:Cu0.7
6	INK	BLACK

ThreeLayer Scientific-Technics Co.,Ltd

客户名称 CUSTOMER	-----	客户品名 CUSTOMER P/N	-----	版别 REV.	1.0
产品类型 PRODUCT TYPE	Shielded Power Inductors	新川品名 OURS P/N	CDRI-8D28-SERIES	文件编号 FILE NO.	SP-21072109

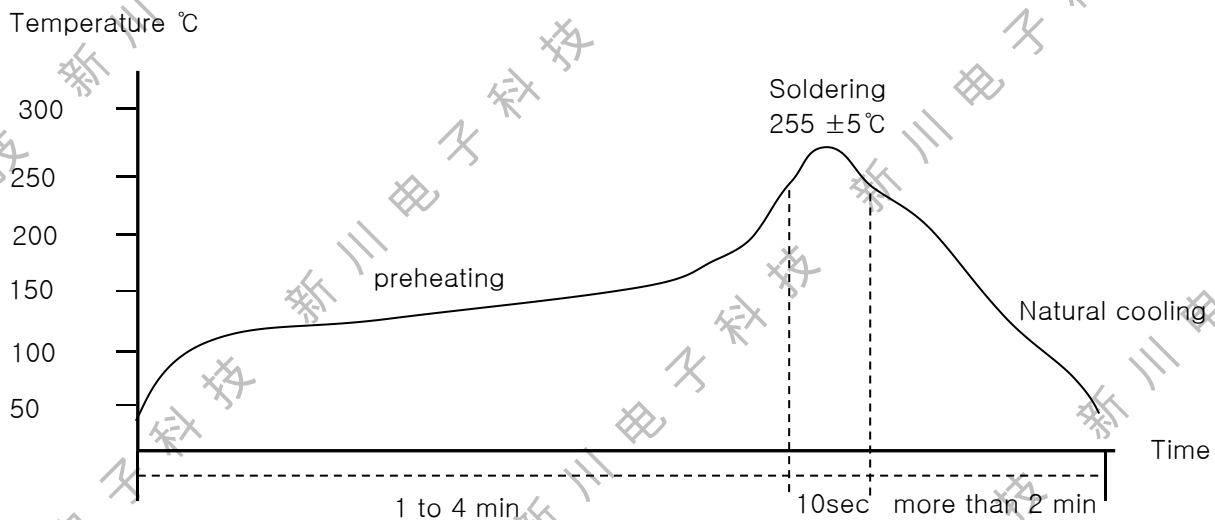
六.可靠性测试/RELIABILITY TESTING

Operating Temperature	- 40 to +125 °C (Contain Heating coil)
Appearance Inspection	No external defects, by visual inspection
Terminal Strength	After soldering , between copper plaet and terminals of coils , push in two directions of X , Y with standing 10N(1.02kg) for10+/-2 sec. Terminal should not peel off. (Refer to figure at right)
Heat endurance of reflow soldering	Refer to figure
Insulating resistance	Over 100 MΩ at 100V D.C . between wire and core
Dielectric Strength	Apply at 0.5KV 3mA for 1 minute between wire and core
Temperature characteristics	Inductance coefficient (0~2,000) × 10 / °C (- 40~ + 125 °C)
Humidity characteristics	Inductance deviation within ± 10% , after 96 hours in 90~95% relative humidity at 40 ± 2 °C and 1 hours drying under normal condition



A test is made under the above mentioned condition , and it is kept for 2 hours in the normal

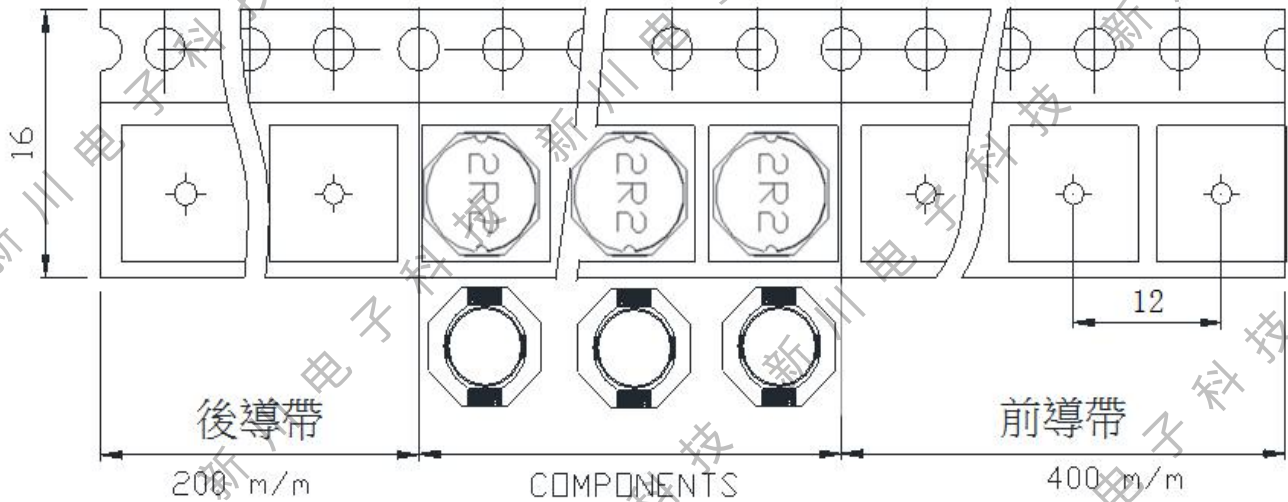
IR Reflow profile



Temperature and humidity . After that , no mechanical and electrical defect should be found .

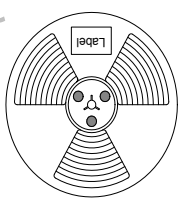
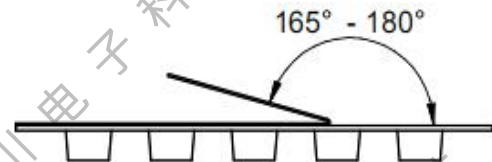
客户名称 CUSTOMER	-----	客户品名 CUSTOMER P/N	-----	版别 REV.	1.0
产品类型 PRODUCT TYPE	Shielded Power Inductors	新川品名 OURS P/N	CDRI-8D28-SERIES	文件编号 FILE NO.	SP-21072109

七.包装方式/PACKING LIST

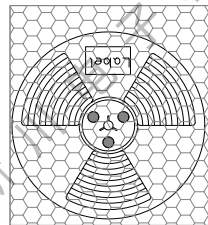


Transparent carrier and cover tape/透明载带和自粘上带

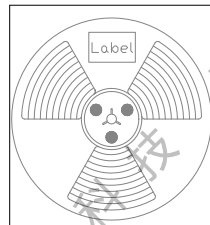
Tape width	Distance	Pull-of force
16 mm	12 mm	20~100g



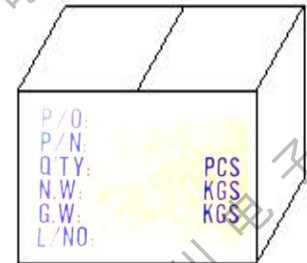
轮盘：13'(直径330mm)
数量：1000PCS/盘



PE袋
数量：1000PCS/袋



内盒
数量：3000PCS/
盒



外箱，数量：15000PCS/箱
不足整箱用内盒或填充物
装满