



南充新川电子科技有限公司

ThreeLayer Scientific-Technics Co.,Ltd



产品承认书

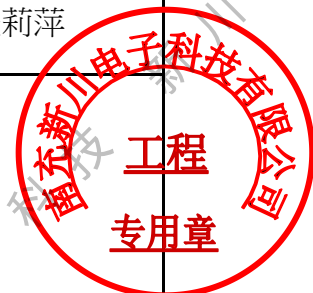
SPECIFICATION FOR APPROVAL

客户名称 <i>CUSTOMER NAME</i>	-----
产品类型 <i>PRODUCT TYPE</i>	Shielded Power Inductors
客户料号 <i>CUSTOMER PN</i>	-----
新川料号 <i>OURS PN</i>	CDRI-4D18-SERIES
文件编号 <i>FILE NO.</i>	SP-21072103

客户承认/CUSTOMER ACCEPTED		
承认 <i>APPROVED</i>	确认 <i>CHECKED</i>	承办 <i>DESIGN</i>
批注/REMARK		

批准 <i>APPROVED</i>	确认 <i>CHECKED</i>	作成 <i>DESIGN</i>
程志华	陈丽丽	张莉萍

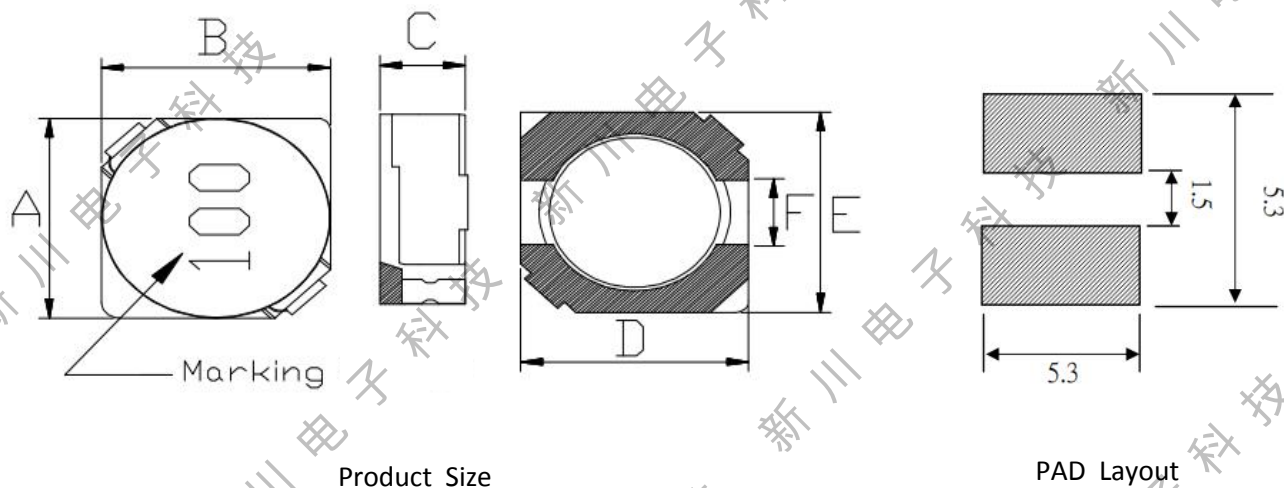
生产工厂：南充川磊电子科技有限公司  
销售公司：南充新川电子科技有限公司  
业务专线：0817-2111163/18681773184  
邮 件：threelayer\_sales@163.com  
地 址：四川省南充市顺庆区潞华工业园区华生东路





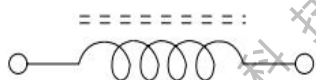
客户名称 CUSTOMER	-----	客户品名 CUSTOMER P/N	-----	版别 REV.	1.0
产品类型 PRODUCT TYPE	Shielded Power Inductors	新川品名 OURS P/N	CDRI-4D18-SERIES	文件编号 FILE NO.	SP-21072103

一.尺寸图/DIMENSION (单位/UNIT : mm)



ITEM	A	B	C	D	E	F		
DIM	4.7	4.7	2.0	4.5	4.5	1.5		
TOLE	±0.3	±0.3	Max	Typ	Typ	Typ		

二.电路图/CIRCUIT DIAGRAM



三.注意事项/NOTE :

1.印字：黑色

四.电气特性/ELECTRICAL CHARACTERISTIC

Part Nuber	Inductance (uH)	Tolerance	Test Frequency (Hz)	DCR (Ω) Max.	IDC (A)	MARK
CDRI-4D18-1R0□	1.0	N	100KHz/0.1V	45m	1.72	1R0
CDRI-4D18-2R2□	2.2	N	100KHz/0.1V	75m	1.32	2R2
CDRI-4D18-2R7□	2.7	N	100KHz/0.1V	0.105	1.28	2R7
CDRI-4D18-3R3□	3.3	N	100KHz/0.1V	0.11	1.04	3R3
CDRI-4D18-3R9□	3.6	N	100KHz/0.1V	0.155	0.88	3R9
CDRI-4D18-4R7□	4.7	M N	100KHz/0.1V	0.162	0.84	4R7
CDRI-4D18-5R6□	5.6	M N	100KHz/0.1V	0.17	0.8	5R6
CDRI-4D18-6R8□	6.8	M N	100KHz/0.1V	0.2	0.76	6R8
CDRI-4D18-8R2□	8.2	M N	100KHz/0.1V	0.245	0.68	8R2

客户名称 CUSTOMER	-----	客户品名 CUSTOMER P/N	-----	版别 REV.	1.0
产品类型 PRODUCT TYPE	Shielded Power Inductors	新川品名 OURS P/N	CDRI-4D18-SERIES	文件编号 FILE NO.	SP-21072103

四.电气特性/ELECTRICAL CHARACTERISTIC

Part Nuber	Inductance (uH)	Tolerance	Test Frequency (Hz)	DCR (Ω) Max.	IDC (A)	MARK
CDRI-4D18-100□	10	M N	100KHz/0.1V	0.26	0.6	100
CDRI-4D18-120□	12	M N	100KHz/0.1V	0.28	0.56	120
CDRI-4D18-150□	15	M N	100KHz/0.1V	0.31	0.5	150
CDRI-4D18-180□	18	M N	100KHz/0.1V	0.338	0.48	180
CDRI-4D18-220□	22	M N	100KHz/0.1V	0.397	0.41	220
CDRI-4D18-270□	27	M N	100KHz/0.2V	0.441	0.35	270
CDRI-4D18-330□	33	M N	100KHz/0.1V	0.694	0.32	330
CDRI-4D18-390□	39	M N	100KHz/0.1V	0.709	0.3	390
CDRI-4D18-101□	100	K M	100KHz/0.1V	1.4	0.2	101
CDRI-4D18-221□	220	K M	100KHz/0.1V	2.4	0.15	221

(1) Specify the inductance tolerance, K(±10%),M(±20%),N(±30%)

(2).IDC:The DC current at which causes initial inductance to decreases by ≤35% MAX, or temperature to rise by 40°C, whichever is lower(At ambient reference temperature:25°C).

(3).Operating temp.: -40°C to +125°C

(4).Storage Temp: -20°C up to +40°C, 75% RH max.

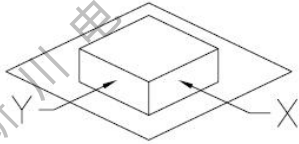
五.材料清单/MATERIAL LIST

NO.	ITEM	DESCRIPTION
1	CORE	FERRITE
2	BASE	C-4D18 P3
3	WIRE	P180 Grd1
4	EPOXY	E-G500HF
5	SOLDER	Sn99.3:Cu0.7
6	INK	BLACK

客户名称 CUSTOMER	-----	客户品名 CUSTOMER P/N	-----	版别 REV.	1.0
产品类型 PRODUCT TYPE	Shielded Power Inductors	新川品名 OURS P/N	CDRI-4D18-SERIES	文件编号 FILE NO.	SP-21072103

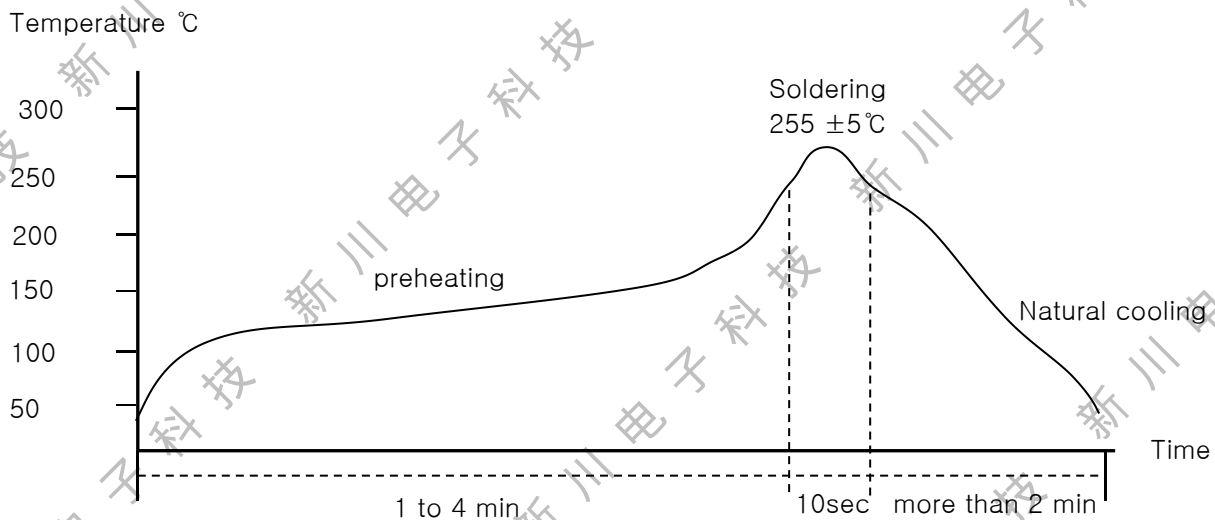
六.可靠性测试/RELIABILITY TESTING

Operating Temperature	- 40 to +125 °C ( Contain Heating coil )
Appearance Inspection	No external defects, by visual inspection
Terminal Strength	After soldering , between copper plaet and terminals of coils , push in two directions of X , Y with standing 10N(1.02kg) for10+/-2 sec. Terminal should not peel off. (Refer to figure at right )
Heat endurance of reflow soldering	Refer to figure
Insulating resistance	Over 100 MΩ at 100V D.C . between wire and core
Dielectric Strength	Apply at 0.5KV 3mA for 1 minute between wire and core
Temperature characteristics	Inductance coefficient ( 0~2,000 ) × 10 / °C ( - 40~ + 125 °C )
Humidity characteristics	Inductance deviation within ± 10% , after 96 hours in 90~95% relative humidity at 40 ± 2 °C and 1 hours drying under normal condition



A test is made under the above mentioned condition , and it is kept for 2 hours in the normal

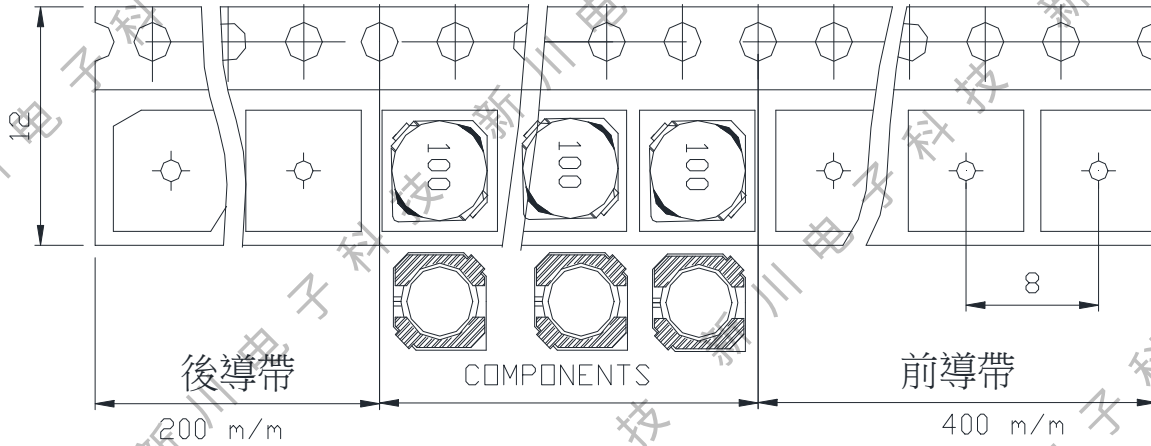
IR Reflow profile



Temperature and humidity . After that , no mechanical and electrical defect should be found .

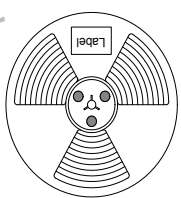
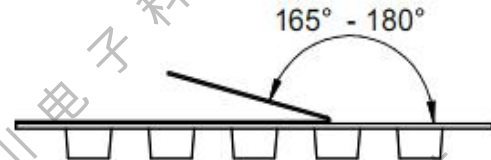
客户名称 CUSTOMER	-----	客户品名 CUSTOMER P/N	-----	版别 REV.	1.0
产品类型 PRODUCT TYPE	Shielded Power Inductors	新川品名 OURS P/N	CDRI-4D18-SERIES	文件编号 FILE NO.	SP-21072103

七.包装方式/PACKING LIST

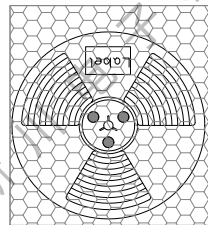


Transparent carrier and cover tape/透明载带和自粘上带

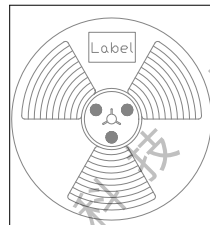
Tape width	Distance	Pull-of force
12 mm	8 mm	20~100g



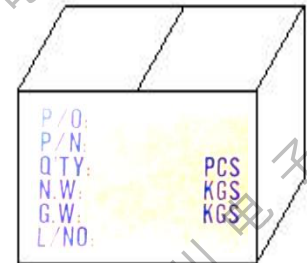
轮盘：13'(直径330mm)  
数量：2000PCS/盘



PE袋  
数量：2000PCS/袋



内盒  
数量：8000PCS/  
盒



外箱，数量：40000PCS/箱  
不足整箱用内盒或填充物  
装满