



川磊电子科技
ThreeLayer Technologies, Inc.
專業電感製造商

南充新川电子科技有限公司

ThreeLayer Scientific-Technics Co.,Ltd



产品承认书

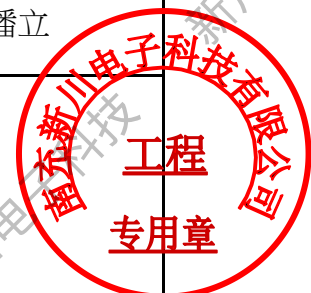
SPECIFICATION FOR APPROVAL

客户名称 <i>CUSTOMER NAME</i>	-----
产品类型 <i>PRODUCT TYPE</i>	Shielded Power Inductors
客户料号 <i>CUSTOMER P/N</i>	-----
川磊料号 <i>OURS P/N</i>	CSLF-12565F- SERIES
文件编号 <i>FILE NO.</i>	SP-21072207

客户承认 <i>CUSTOMER ACCEPTED</i>		
承认 <i>APPROVED</i>	确认 <i>CHECKED</i>	承办 <i>DESIGN</i>
批注/ <i>REMARK</i>		

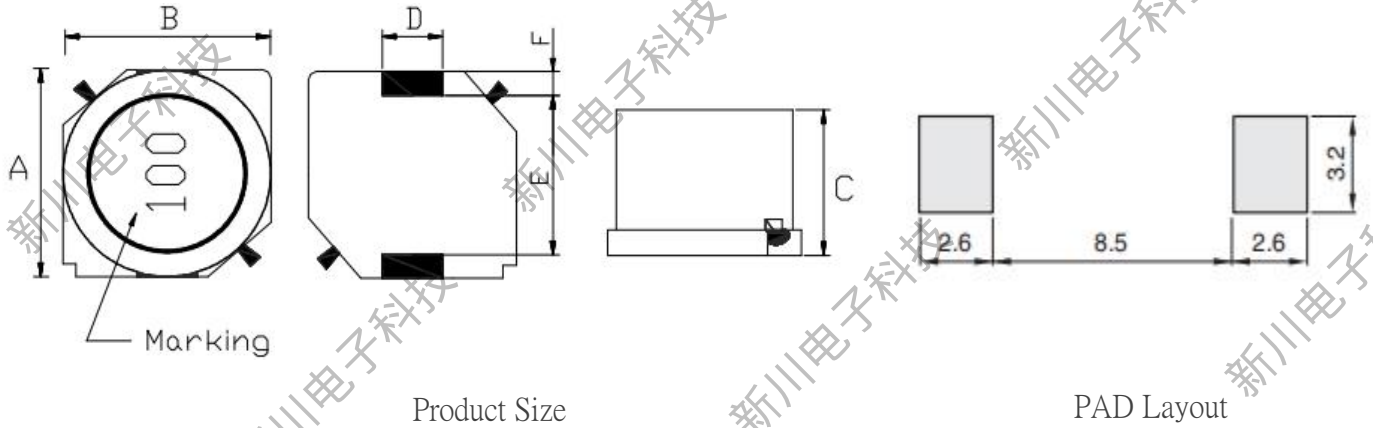
批准 <i>APPROVED</i>	确认 <i>CHECKED</i>	作成 <i>DESIGN</i>
程志华	陈尧	潘立

生产工厂：南充川磊电子科技有限公司
 销售公司：南充新川电子科技有限公司
 业务专线：0817-2111163/18681773184
 邮 件：threelayer_sales@163.com
 地 址：四川省南充市顺庆区潞华工业园区华生东路



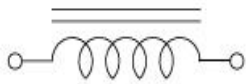
客户名称 CUSTOMER	-----	客户品名 CUSTOMER P/N	-----	版别 REV.	1.0
产品类型 PRODUCT TYPE	Shielded Power Inductors	新川品名 OURS P/N	CSLF-12565F- SERIES	文件编号 FILE NO.	SP-21072207

一.尺寸图/DIMENSION (单位/UNIT : mm)



ITEM	A	B	C	D	E	F		
DIM	12.5	12.5	6.5	3.0	8.5	2.0		
TOLE	±0.3	±0.3	±0.3	±0.2	Typ	Typ		

二.电路图/CIRCUIT DIAGRAM



三.注意事项/NOTE :

1.印字：黑色

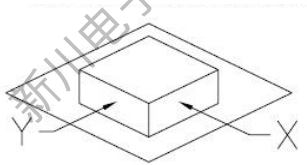
四.电气特性/ELECTRICAL CHARACTERISTIC

Part Number	Inductance (uH)	Tolerance	Test Frequency (Hz)	DCR (mΩ) ±20%	IDC1 (A) Max.	IDC2 (A) Max.	MARK
CSLF-12565F-2R0□	2	N	1K/0.25V	11.7	10	6.2	2R0
CSLF-12565F-4R2□	4.2	N	1K/0.25V	15	7.3	5.5	4R2
CSLF-12565F-7R0□	7	N	1K/0.25V	17.7	5.7	5	7R0
CSLF-12565F-100□	10	M N	1K/0.25V	20	5.0	4.8	100
CSLF-12565F-150□	15	M N	1K/0.25V	23.7	4.2	4.4	150
CSLF-12565F-220□	22	M N	1K/0.25V	32.6	3.5	3.8	220
CSLF-12565F-330□	33	M N	1K/0.25V	40.6	2.8	3.4	330
CSLF-12565F-470□	47	M N	1K/0.25V	57.80	2.4	2.8	470
CSLF-12565F-680□	68	M N	1K/0.25V	78.70	2	2.4	680
CSLF-12565F-101□	100	M	1K/0.25V	123.0	1.6	1.9	101

客户名称 CUSTOMER	-----	客户品名 CUSTOMER P/N	-----	版别 REV.	1.0
产品类型 PRODUCT TYPE	Shielded Power Inductors	新川品名 OURS P/N	CSLF-12565F- SERIES	文件编号 FILE NO.	SP-21072207

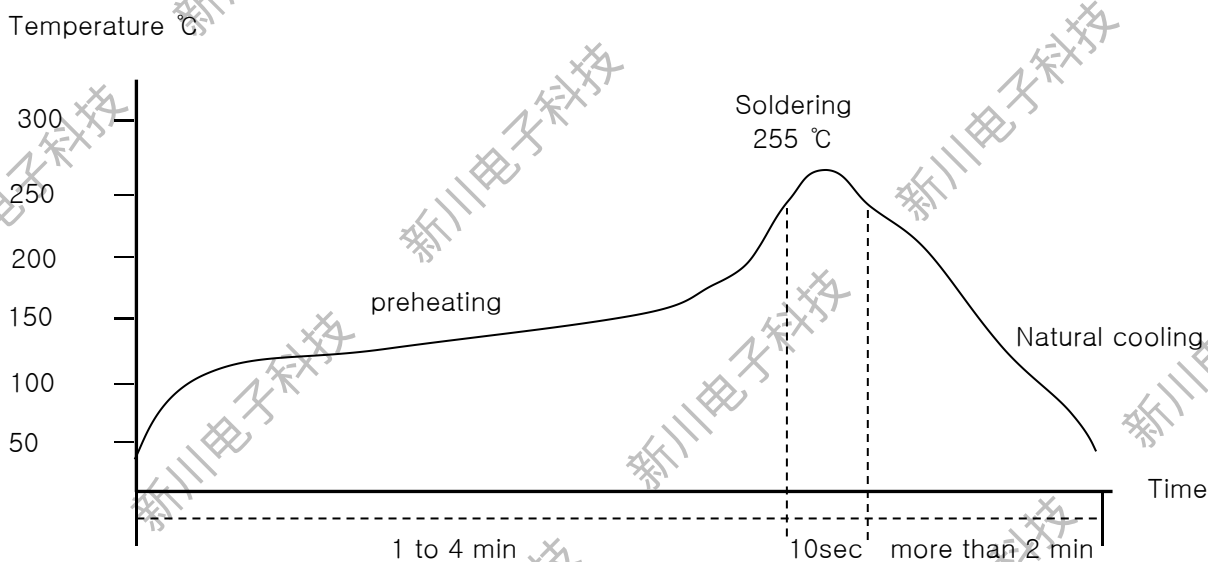
六.可靠性测试/RELIABILITY TESTING

Operating Temperature	- 40 to +125 °C (Contain Heating coil)
Appearance Inspection	No external defects by visual inspection
Terminal Strength	After soldering , between copper plaet and terminals of coils , push in two directions of X , Y with standing 10 CSLF-7045F- SERIES Terminal should not peel off. (Refer to figure at right)
Heat endurance of reflow soldering	Refer to figure
Insulating resistance	Over 100 MΩ at 100V D.C . between wire and core
Dielectric Strength	Apply at 0.5KV 3mA for 1 minute between wire and core
Temperature characteristics	Inductance coefficient (0~2,000) × 10 / °C (- 40~ + 125 °C)
Humidity characteristics	Inductance deviation within ± 10% , after 96 hours in 90~95% relative humidity at 40 ± 2 °C and 1 hours drying under normal condition



A test is made under the above mentioned condition , and it is kept for 2 hours in the normal

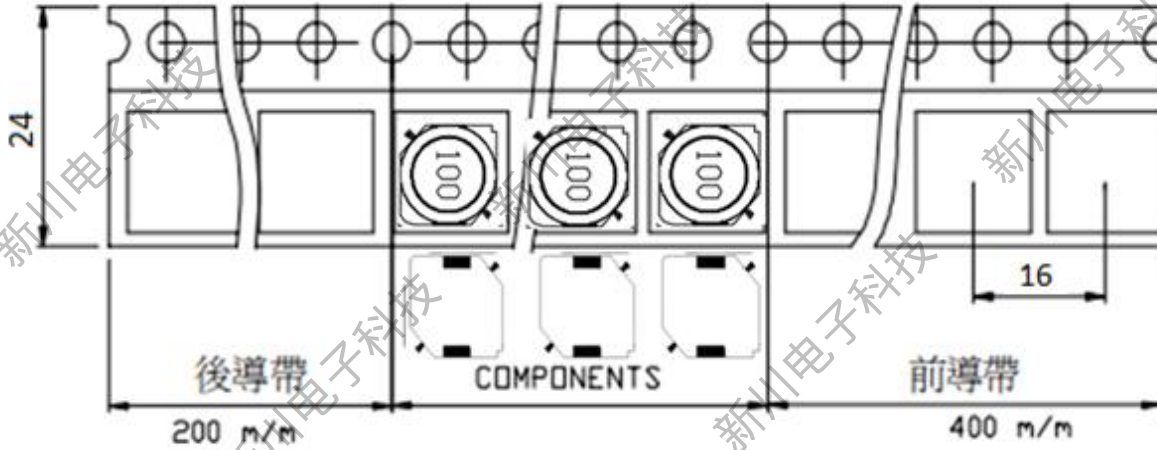
IR Reflow profile



Temperature and humidity . After that , no mechanical and electrical defect should be found .

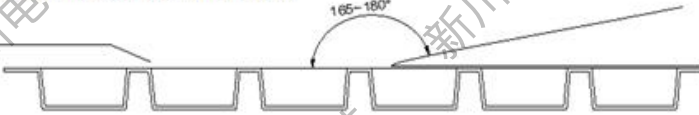
客户名称 CUSTOMER	-----	客户品名 CUSTOMER P/N	-----	版别 REV.	1.0
产品类型 PRODUCT TYPE	Shielded Power Inductors	新川品名 OURS P/N	CSLF-12565F-SERIES	文件编号 FILE NO.	SP-21072207

七.编带规格/TAPING SPECIFICATIONS

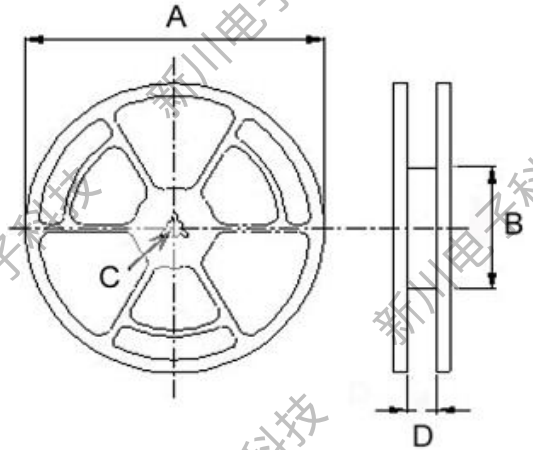


Transparent carrier and cover tape/透明载带和自粘上带

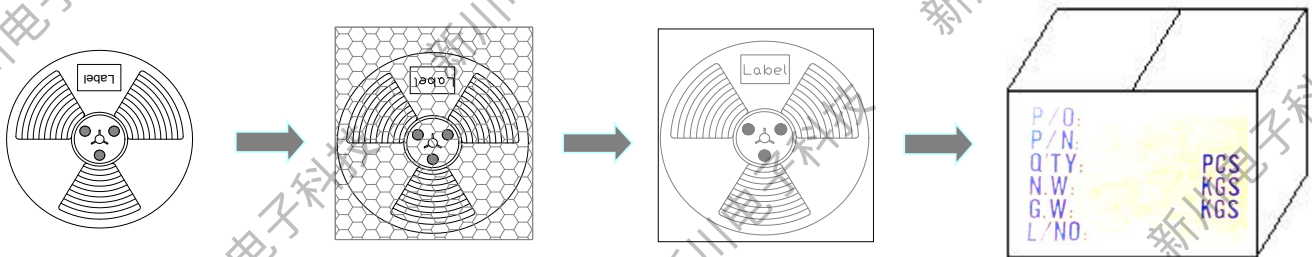
Adhesive strength of cover tape is 20 to 120 gf
The conduction band direction



Reel Dimensions (Unit: mm)				Quantity
A	B	C	D	Pcs/Reel
330	100	13	24.5	500



八.包装方式/PACKING LIST



轮盘：13'(直径330mm)
数量：500PCS/盘

PE袋
数量：500PCS/袋

内盒
数量：1000PCS/盒

外箱，数量：5000PCS/箱
不足整箱用内盒或填充物
装满