



川磊电子科技  
ThreeLayer Technologies, Inc.  
專業電感製造商

# 南充新川电子科技有限公司

ThreeLayer Scientific-Technics Co.,Ltd



## 产品承认书

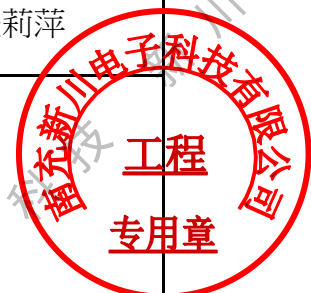
SPECIFICATION FOR APPROVAL

客户名称 <i>CUSTOMER NAME.</i>	-----
产品类型 <i>PRODUCT TYPE</i>	Shielded Power Inductors
客户料号 <i>CUSTOMER P/N</i>	-----
川磊料号 <i>OURS P/N</i>	CLDB-0603-SERIES
文件编号 <i>FILE NO.</i>	SP-21072141

客户承认/CUSTOMER ACCEPTED		
承认 <i>APPROVED</i>	确认 <i>CHECKED</i>	承办 <i>DESIGN</i>
批注/REMARK		

批准 <i>APPROVED</i>	确认 <i>CHECKED</i>	作成 <i>DESIGN</i>
程志华	陈丽雨	张莉萍

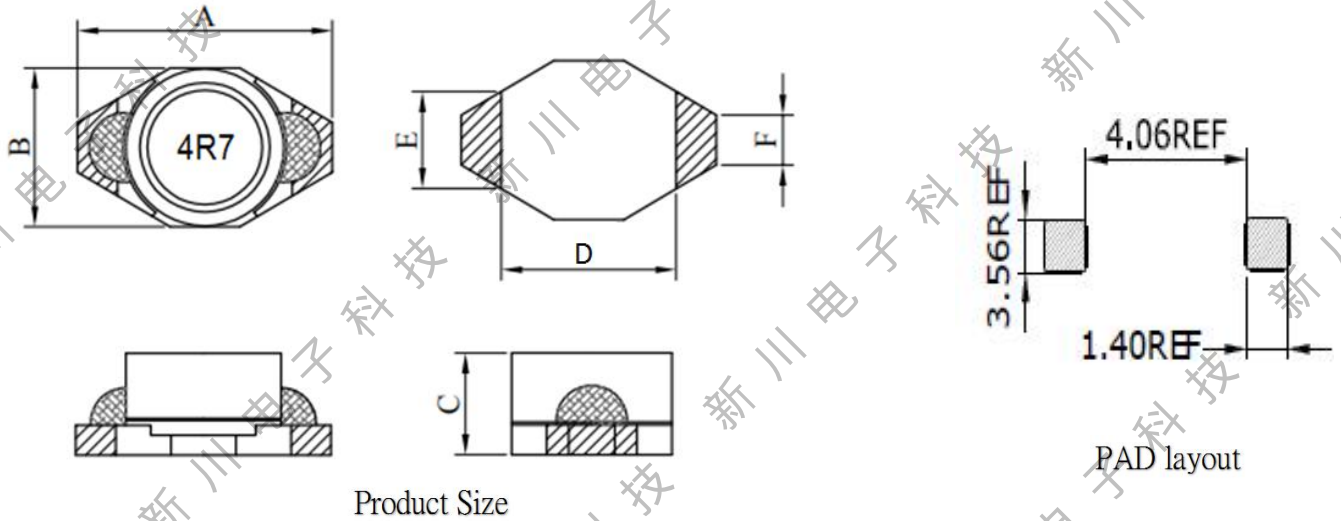
生产工厂：南充川磊电子科技有限公司  
 销售公司：南充新川电子科技有限公司  
 业务专线：0817-2111163/18681773184  
 邮 件：threeayer\_sales@163.com  
 地 址：四川省南充市顺庆区潞华工业园区华生东路





客户名称 CUSTOMER	-----	客户品名 CUSTOMER P/N	-----	版别 REV.	1.0
产品类型 PRODUCT TYPE	Shielded Power Inductors	新川品名 OURS P/N	CLDB-0603-SERIES	文件编号 FILE NO.	SP-21072141

一.尺寸图/DIMENSION (单位/UNIT : mm)

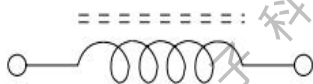


Product Size

PAD layout

ITEM	A	B	C	D	E	F		
DIM	6.50	4.5	2.9	4.40	2.5	1.3		
TOLE	±0.2	Max	±0.2	Typ	Typ	Typ		

二.电路图/CIRCUIT DIAGRAM



三.注意事项/NOTE :

1.印字：黑色

四.电气特性/ELECTRICAL CHARACTERISTIC

Part Number	Inductance (uH)	Tolerance	Test Frequency(Hz)	DCR (Ω) Max.	IDC1 (A) Max.	MARK
CLRB-0603-1R0□	1.0	M N	100K/0.1V	40m	3.0	1R0
CLRB-0603-1R5□	1.5	M N	100K/0.1V	45m	2.8	1R5
CLRB-0603-2R2□	2.2	M N	100K/0.1V	50m	1.8	2R2
CLRB-0603-3R3□	3.3	M N	100K/0.1V	60m	1.6	3R3
CLRB-0603-4R7□	4.7	M N	100K/0.1V	65m	1.4	4R7
CLRB-0603-6R8□	6.8	M N	100K/0.1V	70m	1.2	6R8
CLRB-0603-100□	10	M	100K/0.1V	75m	1.0	100

客户名称 CUSTOMER	-----	客户品名 CUSTOMER P/N	-----	版别 REV.	1.0
产品类型 PRODUCT TYPE	Shielded Power Inductors	新川品名 OURS P/N	CLDB-0603-SERIES	文件编号 FILE NO.	SP-21072141

四.电气特性/ELECTRICAL CHARACTERISTIC

Part Number	Inductance (uH)	Tolerance	Test Frequency(Hz)	DCR (Ω) Max.	IDC1 (A) Max.	MARK
CLRB-0603-150□	15	M	100K/0.1V	90m	0.8	150
CLRB-0603-220□	22	M	100K/0.1V	0.11	0.7	220
CLRB-0603-330□	33	M	100K/0.1V	0.19	0.6	330
CLRB-0603-470□	47	M	100K/0.1V	0.23	0.5	470
CLRB-0603-680□	68	M	100K/0.1V	0.29	0.4	680
CLRB-0603-101□	100	M	100K/0.1V	0.48	0.3	101
CLRB-0603-151□	150	M	100K/0.1V	0.59	0.26	151
CLRB-0603-221□	220	M	100K/0.1V	0.77	0.22	221
CLRB-0603-331□	330	M	100K/0.1V	1.4	0.2	331
CLRB-0603-471□	470	M	100K/0.1V	1.8	0.19	471
CLRB-0603-681□	680	M	100K/0.1V	2.2	0.18	681
CLRB-0603-102□	1000	M	100K/0.1V	3.4	0.15	102

- (1) Specify the inductance tolerance, K(±10%),M(±20%),N(±30%)
- (2).IDC:The DC current at which causes initial inductance to decreases by 10%, or temperature to rise by 40℃, whichever is lower(At ambient reference temperature:25℃).
- (3).Operating temp.: -40℃ to +125℃
- (4).Storage Temp: -20℃ up to +40℃, 75% RH max.

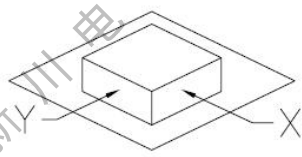
五.材料清单/MATERIAL LIST

NO.	ITEM	DESCRIPTION
1	CORE	FERRITE
2	BASE	CR-2516A
3	WIRE	P180 G1
4	ADHESIVE	E-S-7500
5	INK	WHITE

客户名称 CUSTOMER	-----	客户品名 CUSTOMER P/N	-----	版别 REV.	1.0
产品类型 PRODUCT TYPE	Shielded Power Inductors	新川品名 OURS P/N	CLDB-0603-SERIES	文件编号 FILE NO.	SP-21072141

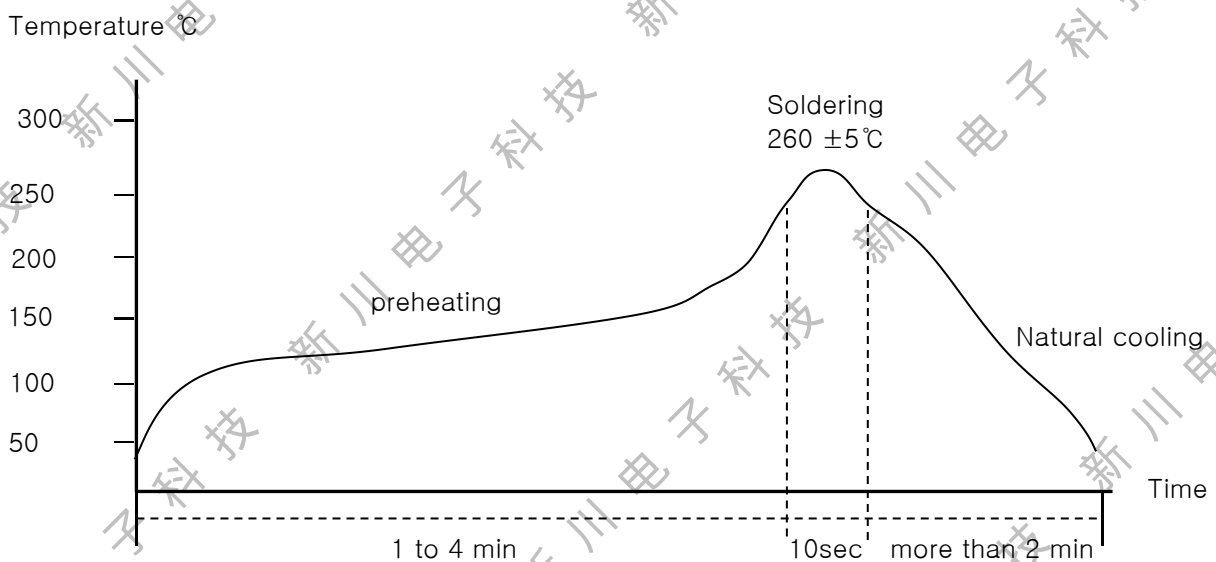
五.可靠性测试/RELIABILITY TESTING

Operating Temperature	- 40 to +125 °C ( Contain Heating coil )
Appearance Inspection	No external defects by visual inspection
Terminal Strength	After soldering , between copper plaet and terminals of coils , push in two directions of X , Y with standing 10N(1.02kg) for10+/-2 sec. Terminal should not peel off. (Refer to figure at right )
Heat endurance of reflow soldering	Refer to figure
Insulating resistance	Over 100 MΩ at 100V D.C . between wire and core
Dielectric Strength	Apply at 0.5KV 3mA for 1 minute between wire and core
Temperature characteristics	Inductance coefficient ( 0~2,000 ) × 10 / °C ( - 40~ + 125 °C )
Humidity characteristics	Inductance deviation within ± 10% , after 96 hours in 90~95% relative humidity at 40 ± 2 °C and 1 hours drying under normal condition



A test is made under the above mentioned condition , and it is kept for 2 hours in the normal

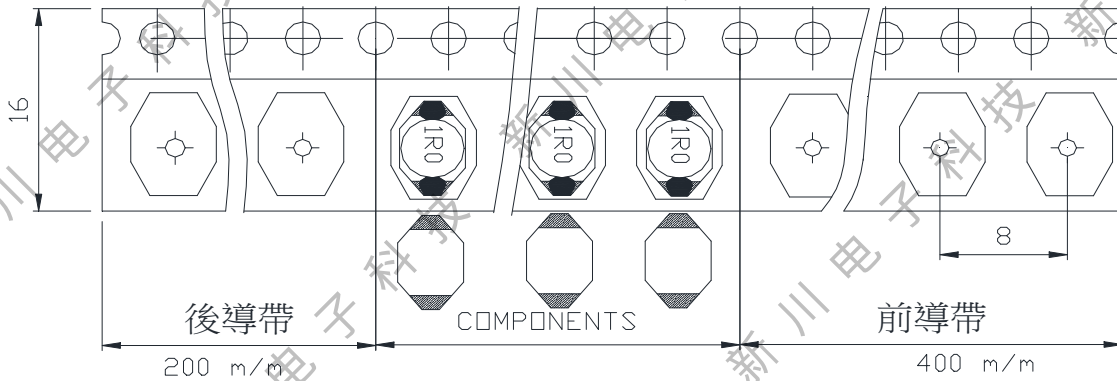
IR Reflow profile



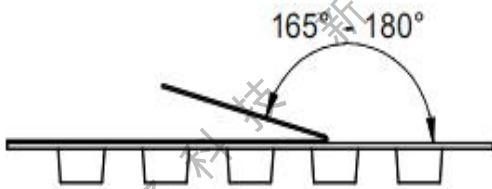
Temperature and humidity . After that , no mechanical and electrical defect should be found .

客户名称 CUSTOMER	-----	客户品名 CUSTOMER P/N	-----	版别 REV.	1.0
产品类型 PRODUCT TYPE	Shielded Power Inductors	新川品名 OURS P/N	CLDB-0603-SERIES	文件编号 FILE NO.	SP-21072141

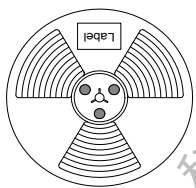
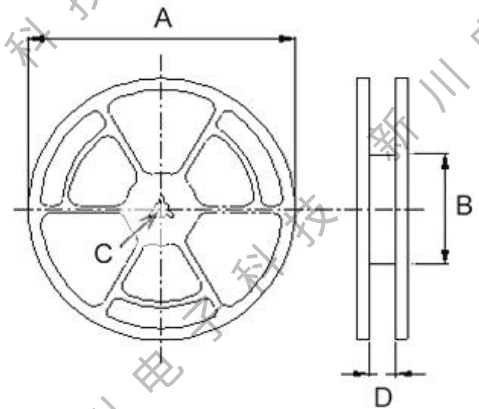
七.包装方式/PACKING LIST



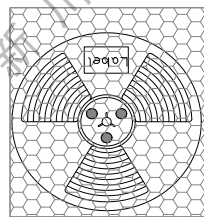
Tape width	Distance	Pull-of force
16 mm	8 mm	20~120g



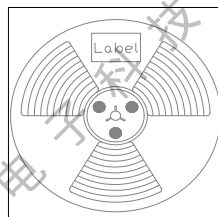
Reel Dimensions (Unit: mm)				Quantity
A	B	C	D	Pcs/Reel
330	100	13	16.5	2500



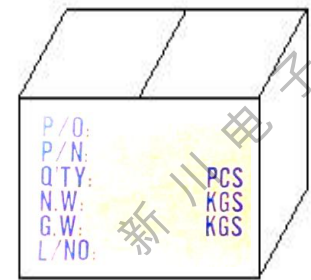
轮盘：13'(直径330mm)  
数量：2500PCS/盘



PE袋  
数量：2500PCS/袋



内盒  
数量：10000PCS/  
盒



外箱，数量：50000PCS/箱  
不足整箱用内盒或填充物装满