



川磊电子科技  
ThreeLayer Technologies, Inc.  
專業電感製造商

# 南充新川电子科技有限公司

ThreeLayer Scientific-Technics Co.,Ltd



## 产品承认书

SPECIFICATION FOR APPROVAL

客户名称 -----  
*CUSTOMER NAME.*

产品类型 Shielded Power Inductors  
*PRODUCT TYPE*

客户料号 -----  
*CUSTOMER P/N*

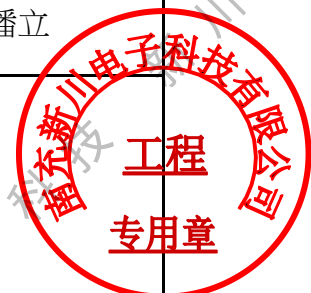
川磊料号 CDRI-125A- SERIES  
*OURS P/N*

文件编号 SP-21072005  
*FILE NO.*

客户承认/CUSTOMER ACCEPTED		
承认 <i>APPROVED</i>	确认 <i>CHECKED</i>	承办 <i>DESIGN</i>
批注/REMARK		

批准 <i>APPROVED</i>	确认 <i>CHECKED</i>	作成 <i>DESIGN</i>
程志华	陈尧	潘立

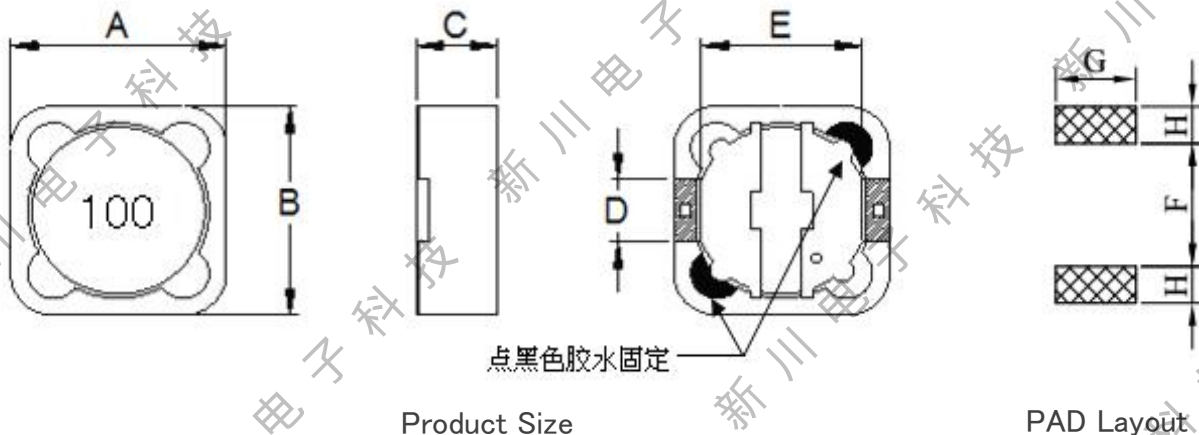
生产工厂：南充川磊电子科技有限公司  
销售公司：南充新川电子科技有限公司  
业务专线：0817-2111163/18681773184  
邮 件：threeayer\_sales@163.com  
地 址：四川省南充市顺庆区潞华工业园区华生东路





客户名称 CUSTOMER	-----	客户品名 CUSTOMER P/N	-----	版别 REV.	1.0
产品类型 PRODUCT TYPE	Shielded Power Inductors	新川品名 OURS P/N	CDRI-125A- SERIES	文件编号 FILE NO.	SP-21072005

一.尺寸图/DIMENSION (单位/UNIT : mm)



ITEM	A	B	C	D	E	F	G	H	
DIM	12.5	12.5	6.0	5.0	7.6	7.0	5.4	2.8	
TOLE	Max	Max	Max	Typ	Typ	Ref	Ref	Ref	

二.电路图/CIRCUIT DIAGRAM



三.注意事项/NOTE :

1.印字：白色

四.电气特性/ELECTRICAL CHARACTERISTIC

Part Number	Inductance (uH)	Tolerance	Test Frequency (Hz)	DCR (mΩ) Max	IDC1 (A) Max.	IDC2 (A) Max.	MARK
CDRI-125A-2R2□	2.2	N	100K/0.25V	8.2	13.5	12.5	2R2
CDRI-125A-2R4□	2.7	N	100K/0.25V	8.2	13.5	12.5	2R4
CDRI-125A-2R7□	2.7	N	100K/0.25V	9.3	13	10.5	2R7
CDRI-125A-3R3□	3.3	M N	100K/0.25V	11.4	12	9	3R3
CDRI-125A-4R7□	4.7	M N	100K/0.25V	13	10	8	4R7
CDRI-125A-5R6□	5.6	M N	100K/0.25V	14	9	7	5R6
CDRI-125A-6R8□	6.8	M N	100K/0.25V	15	8	7	6R8
CDRI-125A-8R2□	8.2	M N	100K/0.25V	22	7.5	6.5	7R5
CDRI-125A-100□	10	M N	100K/0.25V	26.5	7.2	5.6	100
CDRI-125A-150□	15	M N	100K/0.25V	31.9	5.8	5	150
CDRI-125A-220□	22	M N	100K/0.25V	46.3	4.5	4	220

客户名称 CUSTOMER	-----	客户品名 CUSTOMER P/N	-----	版别 REV.	1.0
产品类型 PRODUCT TYPE	Shielded Power Inductors	新川品名 OURS P/N	CDRI-125A- SERIES	文件编号 FILE NO.	SP-21072005

四.电气特性/ELECTRICAL CHARACTERISTIC

Part Number	Inductance (uH)	Tolerance	Test Frequency (Hz)	DCR (mΩ) Max	IDC1 (A) Max.	IDC2 (A) Max.	MARK
CDRI-125A-330□	33	M N	100K/0.25V	66.3	4	3.5	330
CDRI-125A-470□	47	M N	100K/0.26V	92.5	3.24	2.9	470
CDRI-125A-680□	68	M N	100K/0.27V	130	2.7	2.5	680
CDRI-125A-101□	100	M	100K/0.28V	170	2	2.2	101
CDRI-125A-151□	150	M	100K/0.29V	260	1.8	1.7	151
CDRI-125A-221□	220	M	100K/0.30V	430	1.6	1.39	221
CDRI-125A-271□	270	M	100K/0.31V	450	1.5	1.32	271
CDRI-125A-152□	1500	M	100K/0.32V	2000	0.58	0.6	152
CDRI-125A-222□	2200	M	100K/0.33V	2900	0.49	0.5	222

(1).Specify the inductance tolerance, K(±10%), L(±15%), M(±20%),N(±30%)

(2).IDC1:Base on temp.rise &  $\Delta L/L0A \leq 35\%$  MAX

(3).IDC2:Temp.rise 45°C Typ

(4).Operating temp.: -40°C to +125°C

(5).Storage Temp: -20°C up to +40°C, 75% RH max.

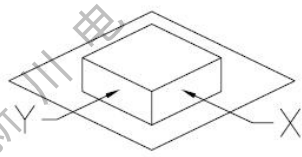
五.材料清单/MATERIAL LIST

NO.	ITEM	DESCRIPTION
1	CORE	FERRITE
2	BASE	C1100 P2
3	WIRE	P180 G1
4	ADHESIVE	G-500HF/FW-5013
5	TAPE	3M
6	TIN	107H
7	INK	BLACK

客户名称 CUSTOMER	-----	客户品名 CUSTOMER P/N	-----	版别 REV.	1.0
产品类型 PRODUCT TYPE	Shielded Power Inductors	新川品名 OURS P/N	CDRI-125A- SERIES	文件编号 FILE NO.	SP-21072005

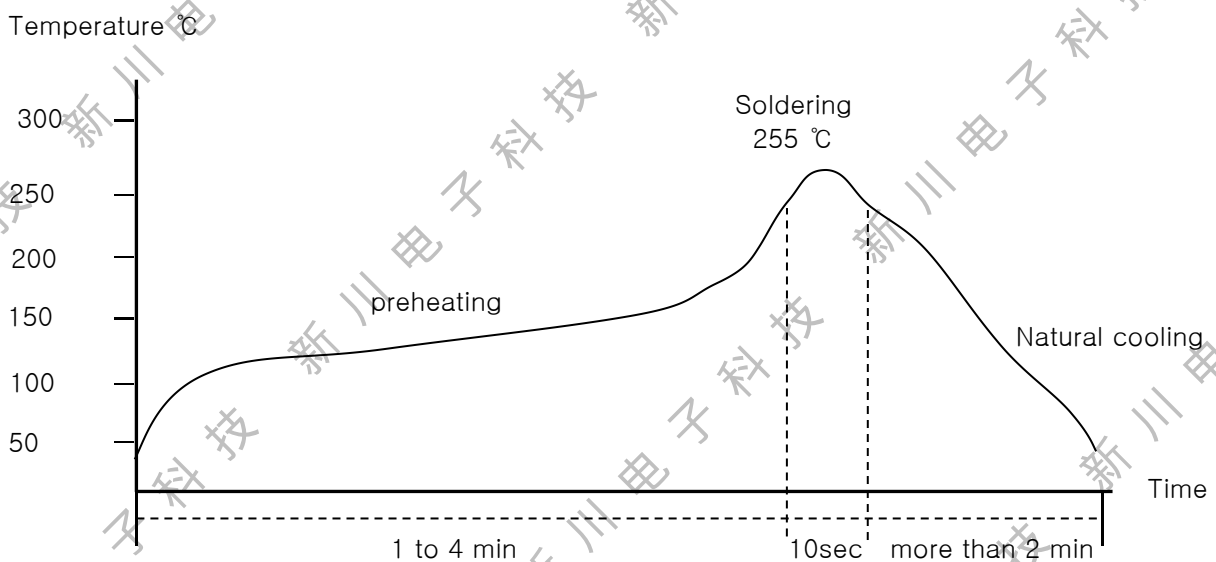
六.可靠性测试/RELIABILITY TESTING

Operating Temperature	- 40 to +125 °C ( Contain Heating coil )
Appearance Inspection	No external defects by visual inspection
Terminal Strength	After soldering , between copper plaet and terminals of coils , push in two directions of X , Y with standing 10N(1.02kg) for10+/-2 sec. Terminal should not peel off. (Refer to figure at right )
Heat endurance of reflow soldering	Refer to figure
Insulating resistance	Over 100 MΩ at 100V D.C . between wire and core
Dielectric Strength	Apply at 0.5KV 3mA for 1 minute between wire and core
Temperature characteristics	Inductance coefficient ( 0~2,000 ) × 10 / °C ( - 40~ + 125 °C )
Humidity characteristics	Inductance deviation within ± 10% , after 96 hours in 90~95% relative humidity at 40 ± 2 °C and 1 hours drying under normal condition



A test is made under the above mentioned condition , and it is kept for 2 hours in the normal

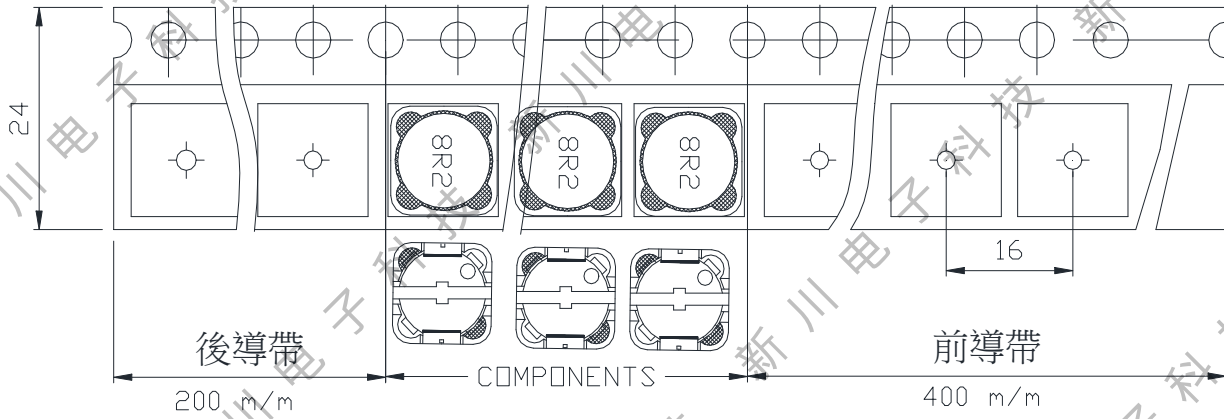
IR Reflow profile



Temperature and humidity . After that , no mechanical and electrical defect should be found .

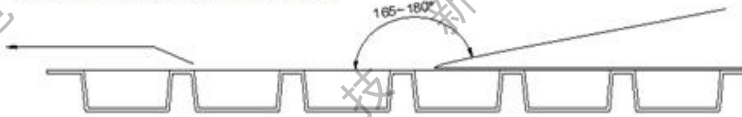
客户名称 CUSTOMER	-----	客户品名 CUSTOMER P/N	-----	版别 REV.	1.0
产品类型 PRODUCT TYPE	Shielded Power Inductors	新川品名 OURS P/N	CDRI-125A- SERIES	文件编号 FILE NO.	SP-21072005

七.编带规格/TAPING SPECIFICATIONS

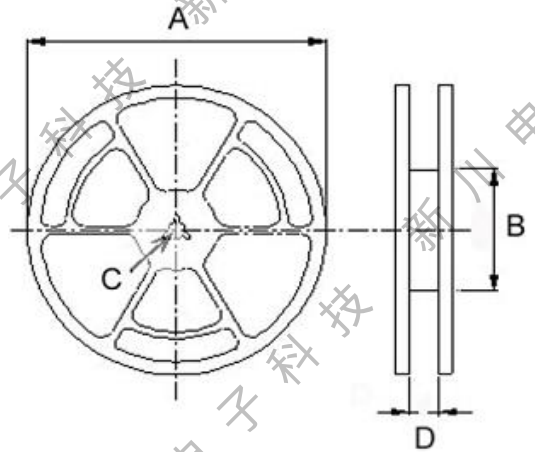


Transparent carrier and cover tape/透明载带、自粘或热封上带

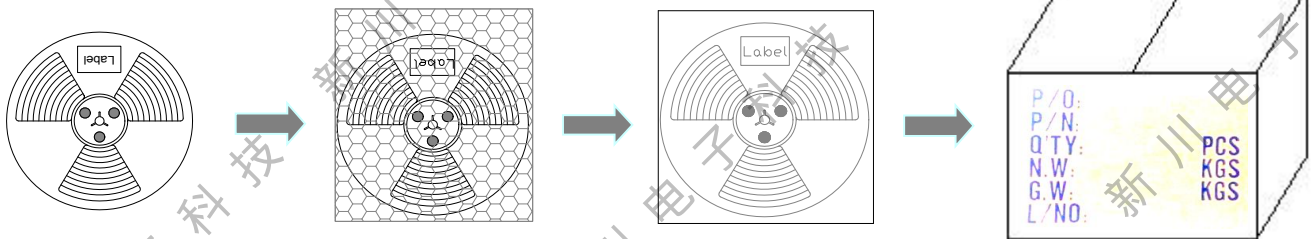
Adhesive strength of cover tape is 20 to 120 gf  
The conduction band direction



Reel Dimensions (Unit: mm)				Quantity
A	B	C	D	Pcs/Reel
330	100	13	24.5	500



八.包装方式/PACKING LIST



轮盘：13'(直径330mm)  
数量：500PCS/盘

PE袋  
数量：500PCS/袋

内盒  
数量：1000PCS/盒

外箱，数量：5000PCS/箱  
不足整箱用内盒或填充物  
装满