



川磊电子科技
ThreeLayer Technologies, Inc.
專業電感製造商

南充新川电子科技有限公司

ThreeLayer Scientific-Technics Co.,Ltd



产品承认书

SPECIFICATION FOR APPROVAL

客户名称 -----
CUSTOMER NAME.

产品类型 Shielded Power Inductors
PRODUCT TYPE

客户料号 -----
CUSTOMER P/N

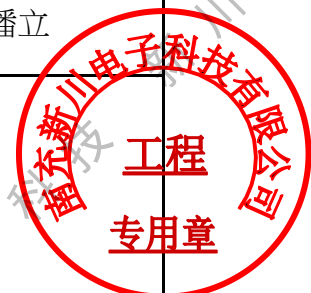
川磊料号 CDRI-124- SERIES
OURS P/N

文件编号 SP-21072003
FILE NO.

客户承认/CUSTOMER ACCEPTED		
承认 <i>APPROVED</i>	确认 <i>CHECKED</i>	承办 <i>DESIGN</i>
批注/REMARK		

批准 <i>APPROVED</i>	确认 <i>CHECKED</i>	作成 <i>DESIGN</i>
程志华	陈尧	潘立

生产工厂：南充川磊电子科技有限公司
销售公司：南充新川电子科技有限公司
业务专线：0817-2111163/18681773184
邮 件：threeayer_sales@163.com
地 址：四川省南充市顺庆区潞华工业园区华生东路



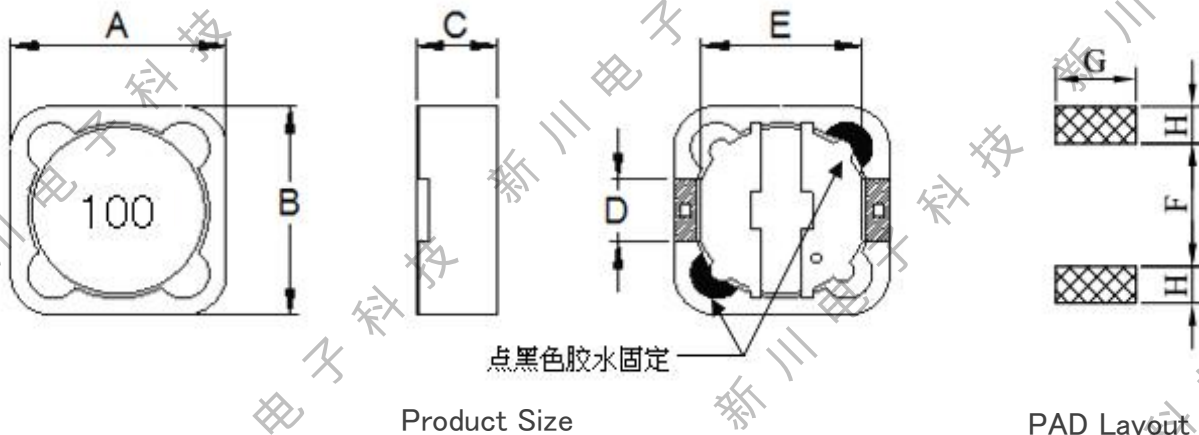
客户名称 CUSTOMER	-----	客户品名 CUSTOMER P/N	-----	版别 REV.	1.0
产品类型 PRODUCT TYPE	Shielded Power Inductors	新川品名 OURS P/N	CDRI-124- SERIES	文件编号 FILE NO.	SP-21072003

修改记录/MODIFY RECORDS

版别 REV.	日期 DATE	修改内容 MODIFY CONTENT	拟制 DRAWING	审核 CHECKED	批准 APPROVED
1.0		新版发行	蔡娟	董兰瑶	程志华

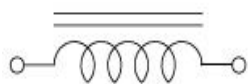
客户名称 CUSTOMER	-----	客户品名 CUSTOMER P/N	-----	版别 REV.	1.0
产品类型 PRODUCT TYPE	Shielded Power Inductors	新川品名 OURS P/N	CDRI-124- SERIES	文件编号 FILE NO.	SP-21072003

一.尺寸图/DIMENSION (单位/UNIT : mm)



ITEM	A	B	C	D	E	F	G	H	
DIM	12.5	12.5	4.5	5.0	7.6	7.0	5.4	2.8	
TOLE	Max	Max	Max	Typ	Typ	Ref	Ref	Ref	

二.电路图/CIRCUIT DIAGRAM



三.注意事项/NOTE :

1.印字：黑色

四.电气特性/ELECTRICAL CHARACTERISTIC

Part Nuber	Inductance (uH)	Tolerance	Test Frequency (Hz)	DCR (mΩ) Max.	IDC (A)	MARK
CDRI-124-2R5□	2.5	N	100K/0.25V	13	8.0	2R5
CDRI-124-3R3□	3.3	M N	100K/0.25V	15	6.5	3R3
CDRI-124-3R9□	3.9	N	100K/0.25V	15	6.5	3R9
CDRI-124-4R7□	4.7	M N	100K/0.25V	18	5.7	4R7
CDRI-124-6R8□	6.8	M N	100K/0.25V	23	4.9	6R8
CDRI-124-8R2□	7.5	N	100K/0.25V	26	4.6	8R2
CDRI-124-100□	10	M N	100K/0.25V	28	4.5	100
CDRI-124-120□	12	M N	100K/0.25V	38	4.0	120
CDRI-124-150□	15	M N	100K/0.25V	50	3.2	150
CDRI-124-180□	18	M N	100K/0.25V	57	3.1	180
CDRI-124-220□	22	M N	100K/0.25V	66	2.9	220

客户名称 CUSTOMER	-----	客户品名 CUSTOMER P/N	-----	版别 REV.	1.0
产品类型 PRODUCT TYPE	Shielded Power Inductors	新川品名 OURS P/N	CDRI-124- SERIES	文件编号 FILE NO.	SP-21072003

四.电气特性/ELECTRICAL CHARACTERISTIC

Part Nuber	Inductance (uH)	Tolerance	Test Frequency (Hz)	DCR (mΩ) Max.	IDC (A)	MARK
CDRI-124-270□	27	M N	100K/0.25V	80	2.8	270
CDRI-124-330□	33	M N	100K/0.25V	97	2.7	330
CDRI-124-390□	39	M N	100K/0.25V	132	2.1	390
CDRI-124-470□	47	M N	100K/0.25V	150	2.0	470
CDRI-124-560□	56	M N	100K/0.25V	190	1.8	560
CDRI-124-680□	68	M N	100K/0.25V	220	1.5	680
CDRI-124-820□	82	M N	100K/0.25V	260	1.3	820
CDRI-124-101□	100	M N	100K/0.25V	308	1.2	101
CDRI-124-121□	120	M N	100K/0.25V	380	1.1	121
CDRI-124-151□	150	M N	100K/0.25V	530	0.95	151
CDRI-124-181□	180	M N	100K/0.25V	620	0.85	181
CDRI-124-221□	220	M N	100K/0.25V	700	0.8	221
CDRI-124-271□	270	M N	100K/0.25V	876	0.6	271
CDRI-124-331□	330	M N	100K/0.25V	990	0.5	331

- (1) Specify the inductance tolerance, K(±10%),M(±20%),N(±30%)
- (2).IDC1:Base on temp.rise & $\Delta L/L0A \leq 25\%$ MAX, Temp.rise 40°C Typ
- (3).Operating temp.: -40°C to +125°C
- (4).Storage Temp: -20°C up to +40°C, 75% RH max.

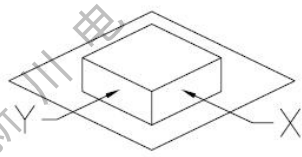
五.材料清单/MATERIAL LIST

NO.	ITEM	DESCRIPTION
1	CORE	FERRITE
2	BASE	C1100 P2
3	WIRE	P180 G1
4	ADHESIVE	G-500HF/FW-5013
5	TAPE	3M
6	TIN	107H
7	INK	BLACK

客户名称 CUSTOMER	-----	客户品名 CUSTOMER P/N	-----	版别 REV.	1.0
产品类型 PRODUCT TYPE	Shielded Power Inductors	新川品名 OURS P/N	CDRI-124- SERIES	文件编号 FILE NO.	SP-21072003

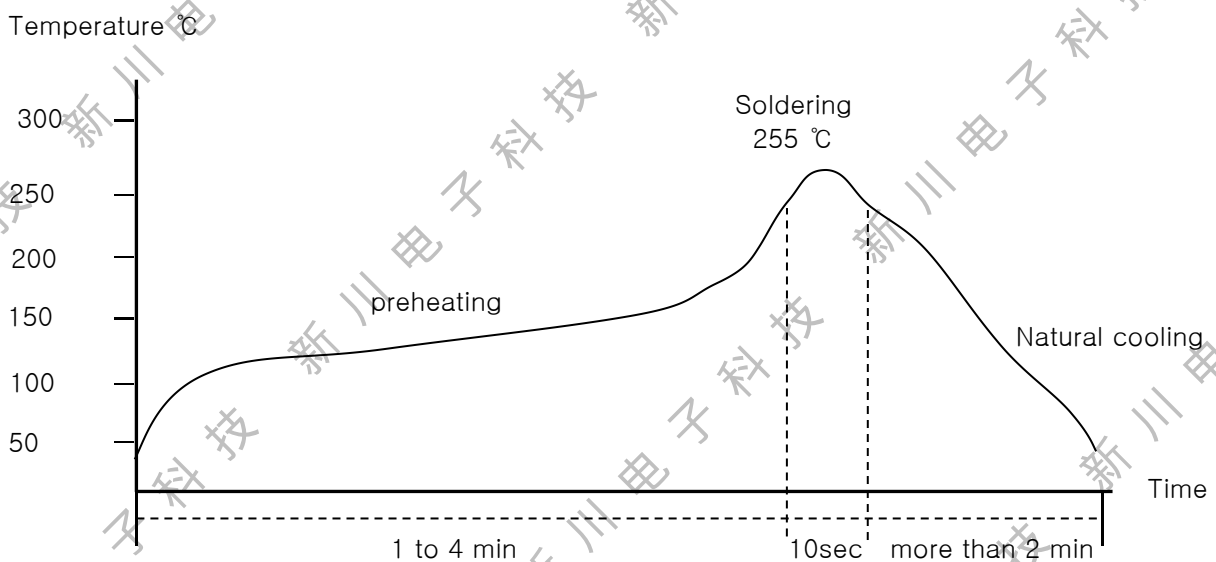
六.可靠性测试/RELIABILITY TESTING

Operating Temperature	- 40 to +125 °C (Contain Heating coil)
Appearance Inspection	No external defects by visual inspection
Terminal Strength	After soldering , between copper plaet and terminals of coils , push in two directions of X , Y with standing 10N(1.02kg) for10+/-2 sec. Terminal should not peel off. (Refer to figure at right)
Heat endurance of reflow soldering	Refer to figure
Insulating resistance	Over 100 MΩ at 100V D.C . between wire and core
Dielectric Strength	Apply at 0.5KV 3mA for 1 minute between wire and core
Temperature characteristics	Inductance coefficient (0~2,000) × 10 / °C (- 40~ + 125 °C)
Humidity characteristics	Inductance deviation within ± 10% , after 96 hours in 90~95% relative humidity at 40 ± 2 °C and 1 hours drying under normal condition



A test is made under the above mentioned condition , and it is kept for 2 hours in the normal

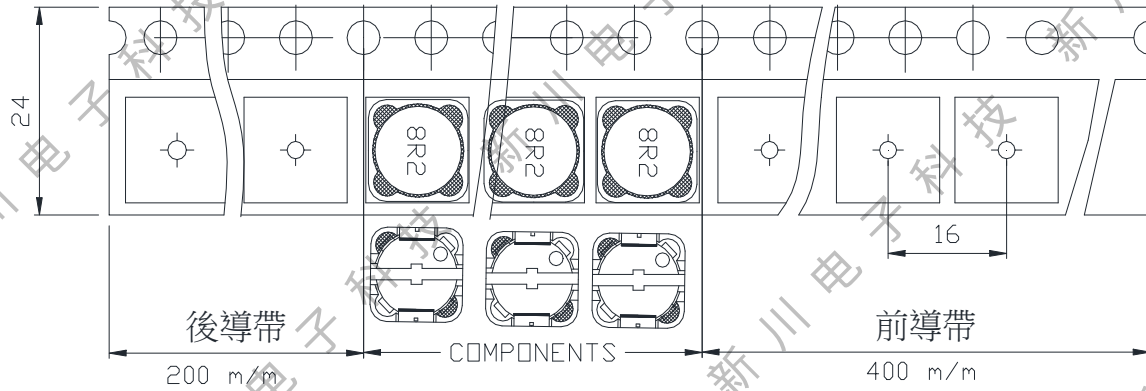
IR Reflow profile



Temperature and humidity . After that , no mechanical and electrical defect should be found .

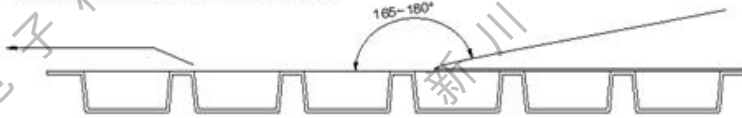
客户名称 CUSTOMER	-----	客户品名 CUSTOMER P/N	-----	版别 REV.	1.0
产品类型 PRODUCT TYPE	Shielded Power Inductors	新川品名 OURS P/N	CDRI-124- SERIES	文件编号 FILE NO.	SP-21072003

七.编带规格/TAPING SPECIFICATIONS

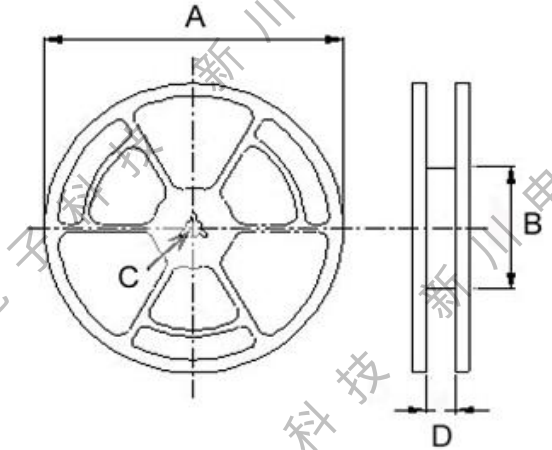


Transparent carrier and cover tape/透明载带、自粘或热封上带

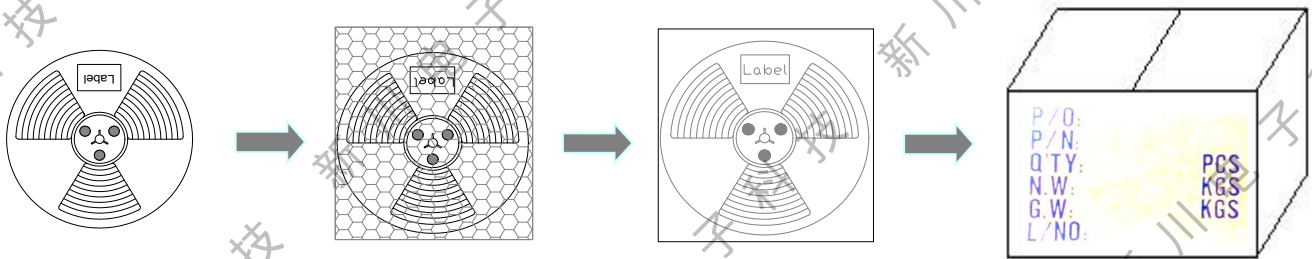
Adhesive strength of cover tape is 20 to 120 gf
The conduction band direction



Reel Dimensions (Unit: mm)				Quantity
A	B	C	D	Pcs/Reel
330	100	13	24.5	500



八.包装方式/PACKING LIST



轮盘：13'(直径330mm)
数量：500PCS/盘

PE袋
数量：500PCS/袋

内盒
数量：1000PCS/盒

外箱，数量：5000PCS/箱
不足整箱用内盒或填充物
装满